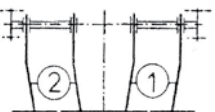
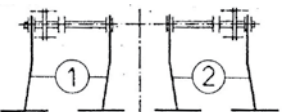
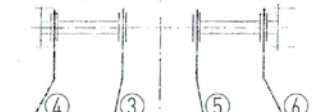
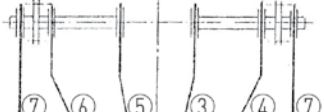
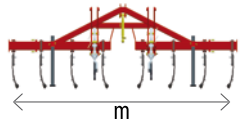


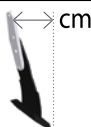


D.V.V.

Caractéristiques techniques

| SPECIFICATIONS | | | | |
|-------------------------------------------------------------------------------------|------------------------------------------------------------------------------------|-------------------------------------------------------------------------------------|-------------------------------------------------------------------------------------|--------|
| D.V.V. | 14-19 | 14-19R | 19-24 | 19-24R |
|  |  |  |  | |
|  | 1.40 | 1.90 | 1.90 | 2.40 |
|  | 4 | | | 6 |
|  | 190 | 200 | 210 | 240 |
|  | 4 | | $3 / 5 = 2.6$ $4 / 6 = 8$ 7 = droite / straight | |